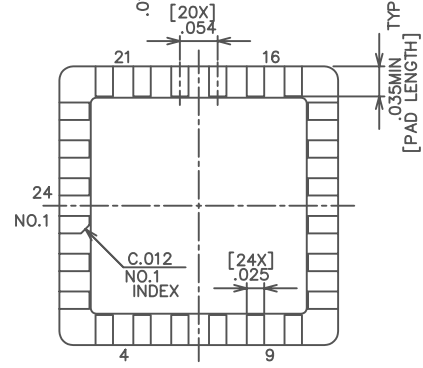
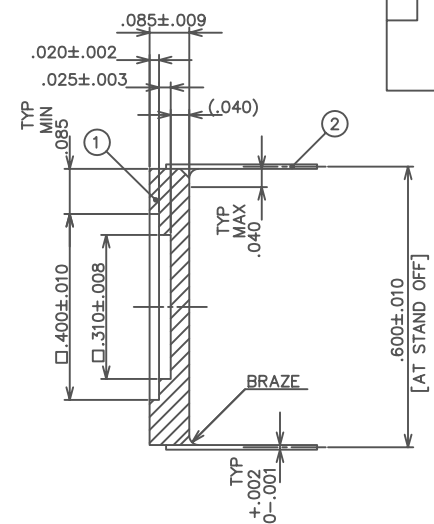
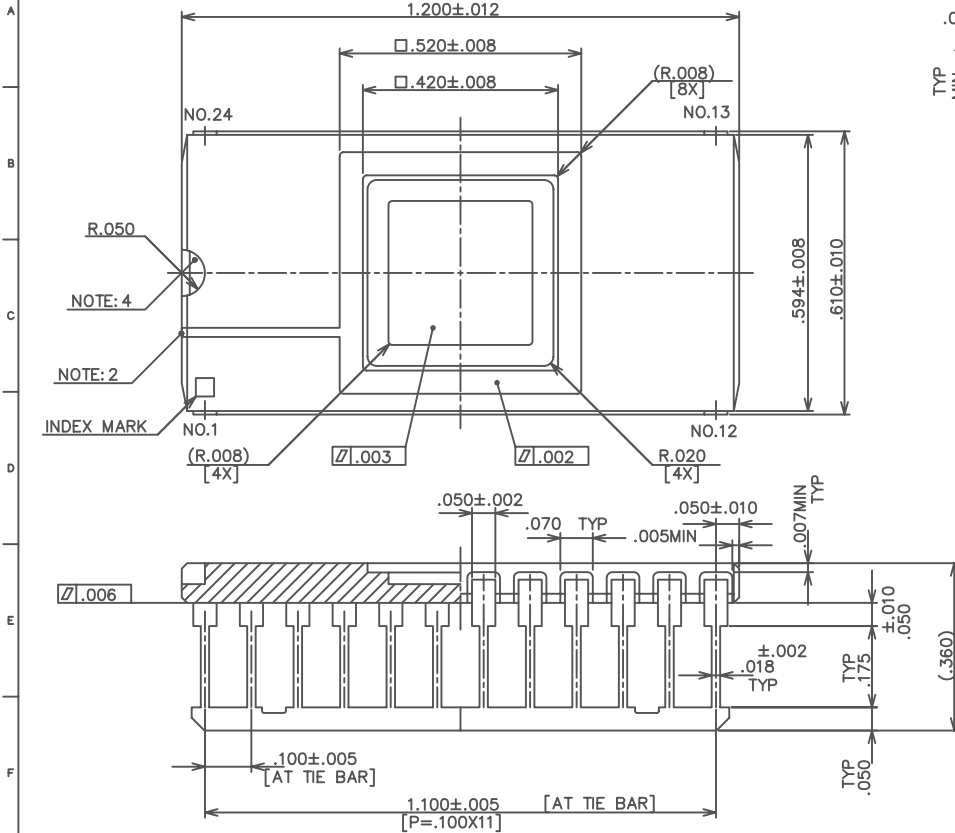


SSM P/N CSB02482

NTK

LATEST REVISION'S DESCRIPTION



- NOTES; 1. GOLD PLATE 60? INCHES MIN OVER 80? INCHES MIN NICKEL.
 2. PLATING TIE BAR TO BE BROKEN AFTER PACKAGE PLATING AT CERAMIC END.
 3. NO LEAD ELECTRICALLY CONNECTED TO THE DIE ATTACH PAD. SEAL RING ISOLATED.
 4. THIS METALLIZATION TO BE ELECTRICALLY CONNECTED TO THE DIE ATTACH PAD.

B/G PADS DETAIL

3	LEAD	ALLOY42			
2	CERAMIC	BLACK ALUMINA			
1					
Item	Name	Material	Description	Rev.	Description
UNLESS OTHERWISE SPECIFIED			DRAWN		
TOLERANCES: ± 1 %			M. MIZUNO		
N. L. T. 2 DECIMALS .XX ±0.25			CHECKED		
3 DECIMALS .XXX ±0.13			T. NOMURA		
CUSTOMER			APPROVED		
SPECTRUM			T. NOMURA		
DWG NO.			UNIT		
			SCALE		
				24 LEAD S/B PKG	
				DWG NO.	
				IDK24F1-167MAL	

MODIFIED
DWG NO.

PART NO. SHEET 1 OF 1

